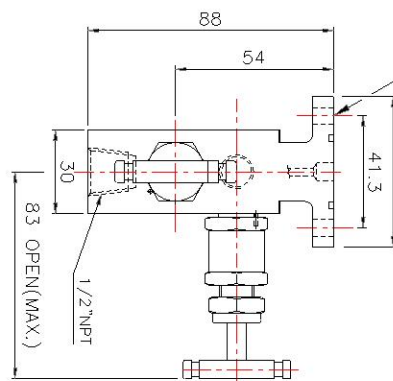
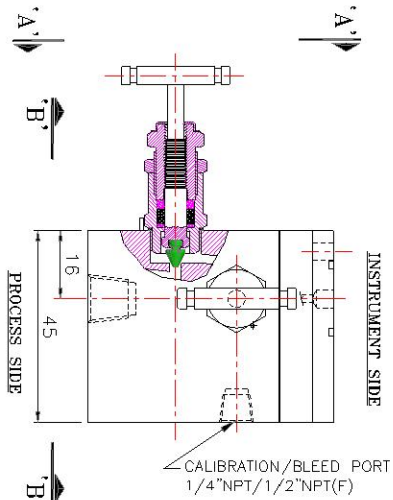
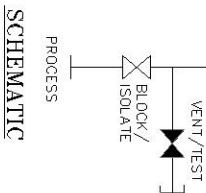


2 NOS. 12.50
MOUNTING HOLE.



| TECHNICAL DATA | | | |
|----------------|----------------------|-------------------------------|---------------------------------------|
| Seat | Pr. Rot. | PTFE | Temp./Rot. |
| METAL SEAT | 6000 PSI (41300 kpa) | -20 to 250° F (-29° to 121°C) | GRAFOIL -20 to 600° F (-29° to 315°C) |
| | | | Cv |
| | | | Orifice |
| | | | 0.52 max. 4.8 mm. |

NOTE:- 1) DIMENSIONS ARE IN MM.FOR REFERENCE ONLY.SUBJECT TO CHANGE.
2) APPROXIMATE WEIGHT = 0.95 KG. (2.1 LBS)



| S.NO. | DESCRIPTION | QTY. | MATERIAL |
|-------|----------------------|------|--------------|
| 14 | NON ROTATING VEE TIP | 2 | A564-630 |
| 13 | WASHER | 2 | A479-316 |
| 12 | DUST CAP | 2 | PLASTIC LD. |
| 11 | LOCK PIN | 2 | A479-316 |
| 10 | HANDLE | 2 | A479-316 |
| 9 | GRUB SCREW | 2 | STEEL |
| 8 | LOCK NUT | 2 | A479-316 |
| 7 | SPINDLE | 2 | A479-316 |
| 6 | PACKING WASHER | 2 | A479-316 |
| 5 | PACKING | 2 | PTFE/GRAFOIL |
| 4 | WASHER | 2 | A479-316 |
| 3 | GLAND RETAINER | 2 | A479-316 |
| 2 | BONNET | 2 | A479-316 |
| 1 | BODY | 1 | A479-316 |

MATERIAL OF CONSTRUCTIONS

PIONEER INDUSTRIES

2 VALVE MANIFOLD PIPE TO FLANGE DESIGN FOR SEPERATE MOUNTING. CONNECTING SYSTEM IMPULSE LINES & TRANSMITTERS. HAVING SIMPLE TWO VALVE CONFIGURATION WHICH ALLOWS FOR EASY BLOCK, BLEED & CALIBRATION OF A STATIC PRESSURE TRANSMITTER OR GAUGE.

FEATURES:

316 S.S. BODY CONSTRUCTION FOR SUPERIOR CORROSION RESISTANCE. NON ROTATING VEE TIP PREVENTS GALLING & PROMOTES REPETITIVE SHUT-OFF. OPTIONAL GRAPHOL PAKING MATERIAL IS AVAILBLE FOR HIGH TEMP. RATING 1000T @6000 PSI

TESTING:

PNEUMATIC TEST:- EACH VALVE IS TESTED WITH NITROGEN AT 100 PSI IN ACCORDANCE WITH MSS-SP-61 FOR SEAT & PACKING LEAKAGE.

HYDRO TEST:- PERFORMED WITH PURE WATER IN ACCORDANCE WITH MSS-SP-61. BODY TESTED AT 1.5 TIMES & SEAT LEAKAGE TESTED AT 1.1 TIMES OF THE WORKING PRESSURE.

DESIGN STANDARD:

PRESSURE & TEMPERATURE RATING ARE SELECTED FROM ANSI B16.34 STANDARD CLASS VALVES BASED ON ANSI B16-CLASS 2500 OPTIONAL SOUR GAS SERVICE CONFIRMS TO NACE STD. MR-01-75

| REV. | DESCRIPTION | BY | DATE |
|---|----------------------|----|------|
| | REVISION | | |
| TITLE:- 2 VALVE MANIFOLD (PIPE TO FLANGE) | | | |
| DRN. | SCALE - NTS. | | |
| CHD. | DATE - 03/01/2010 | | |
| APPD. | DRG.NO :- 2VM-SS-8-T | | |
| | | | R0 |

PIONEER INDUSTRIES
ISO 9001 - 2008